



# ULTRASONIC CONVERTERS

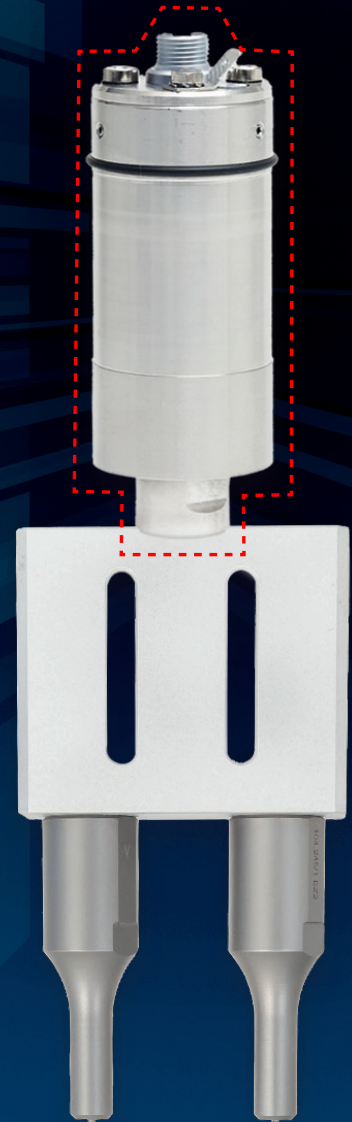
ROBUST. COMPACT. MADE BY HERRMANN.

## What does a converter do?

An ultrasonic converter transforms the high-frequency electrical voltage created by the generator into mechanical longitudinal vibrations—with a constant output amplitude.

These vibrations are introduced through an booster (optional) and the sonotrode into the component, where they create friction at a molecular level. This enables the creation of a precise, fast, and energy-efficient connection.

Robust piezo ceramics and a certified manufacturing process make our converters durable and reliable. They are perfectly suited for demanding applications in the automotive industry and machinery manufacturing.



# Ultrasonic converters by Herrmann

## Benefits for the automotive industry:

- + Long service life even under continuous load**  
Lower demand for spare parts
- + Steady performance for reproducible welding results**  
Minimal rejects
- + Customized design, optional air cooling available**  
Tailored to the respective manufacturing concept
- + Flexible integration thanks to various clamping options**  
Quick replacement for maximum OEE

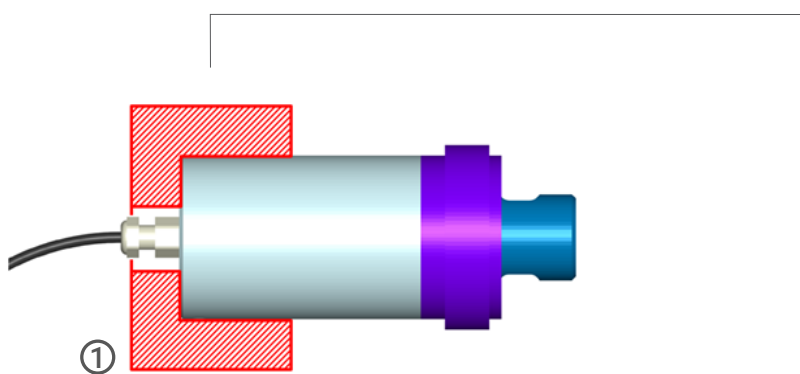
## Technical Data

PARAMETERS	DETAILS
Frequencies	20 kHz, 30 kHz, 35 kHz
Protection class	IP50
Technology	4 piezoelectric ceramic discs
Installation	Different variants of housings and clamping possible depending on requirements

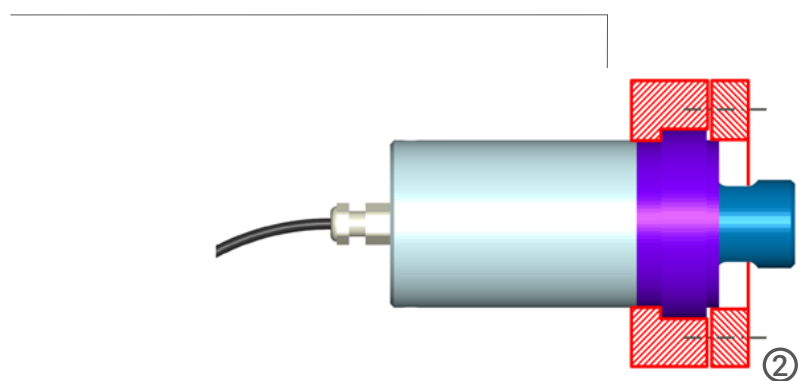
# Clamping options for integration

Our ultrasonic converters offer various mounting options for optimal integration into your machine.

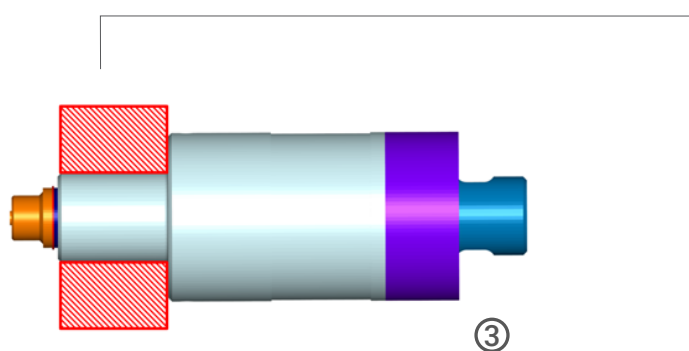
Clamping at the rear part of converter housing



Clamping at mounting ring



Clamping at the rear mounting shoulder of converter housing





## Why Herrmann?

- 60+ years of ultrasonic experience
- 1500+ applications solved per year
- Worldwide service and support

Robust ultrasonic components at competitive prices: Thanks to our many years of experience in the automotive industry, we offer the right solutions for all common applications.

With us as your partner, you benefit from reliable support—anywhere, anytime. **27 locations in 20 countries** form a globally networked service network that guarantees you fast response times and competent support—for safe, efficient, and economical manufacturing.

# Start your project with us

## Find the right ultrasonic components

Let our trusted advisors consult you to find the right ultrasonic components for your requirements and products. Contact us today!



+49 7248 79-0



automotive-pl@herrmannultraschall.com



[www.herrmannultraschall.com](http://www.herrmannultraschall.com)

**REQUEST QUOTE**

Herrmann Ultraschalltechnik GmbH & Co. KG  
Descosträße 3-11 · 76307 Karlsbad, Germany  
Tel. +49 7248 79-0 · [www.herrmannultraschall.com](http://www.herrmannultraschall.com)

